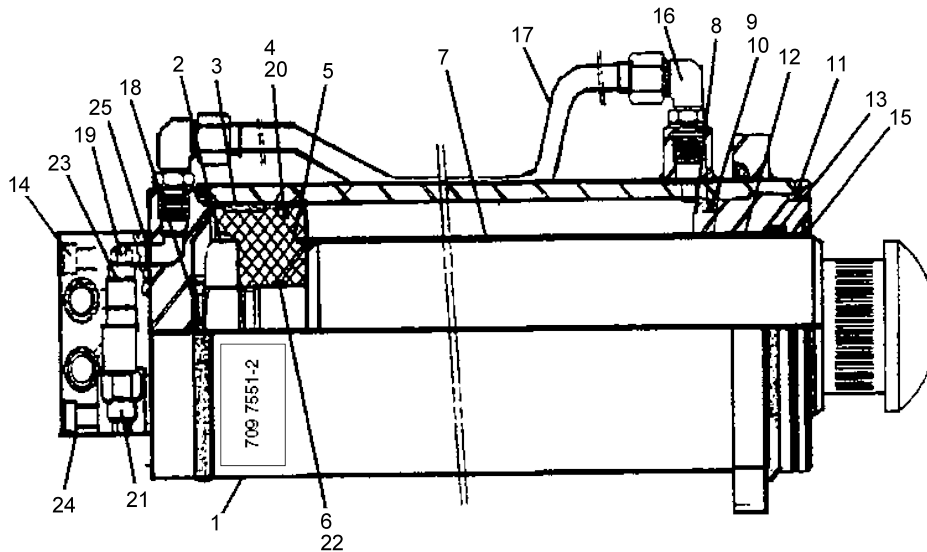


709 7551-2



REF	PART NO.	DESCRIPTION	QTY
	709 7551-2	Cylinder, Jack (Seabee) 4 [Standard] 22" Stroke	
	214236	Kit, Seal 1 (Incl. Items 3,4,6,9,10,12,13, 15,18,20,22,25)	
01	213746	Case 1	
02	213750	Locknut 1	
03	213761	Ring, Wear 1	
04	213757	Seal Assembly 1	
05	213748	Piston 1	
06	213755	O-Ring 1	
07	213747	Rod 1	
08	213749	Head 1	
09	213753	O-Ring 1	
10	213754	Ring, Back-up 1	
11	213763	Setscrew 1	
12	213760	Bearing 2	
13	214243	Seal 1	
14	213762	Capscrew 4	
15	214244	Wiper 1	
16	213766	Elbow 2	
17	213769	Tube Assembly 1	
18	213764	Cotter Pin 1	
19	213765	Plug 1	
20	213758	O-Ring 1	
21	213768	Cartridge, Valve 1	
22	213756	Backup Ring 2	
23	213767	Cartridge, Valve 1	
24	213770	Valve, Block 1	
25	213759	O-Ring 2	

WHEN ORDERING PARTS, SPECIFY MODEL NUMBER, SERIAL NUMBER AND DESCRIPTION OF PART REQUIRED

TEREX CRANES	OUTRIGGER JACK CYLINDER	DATE: Issued 7-2003	GROUP 3
		MODEL: RT500-1	
		PAGE 3.3	